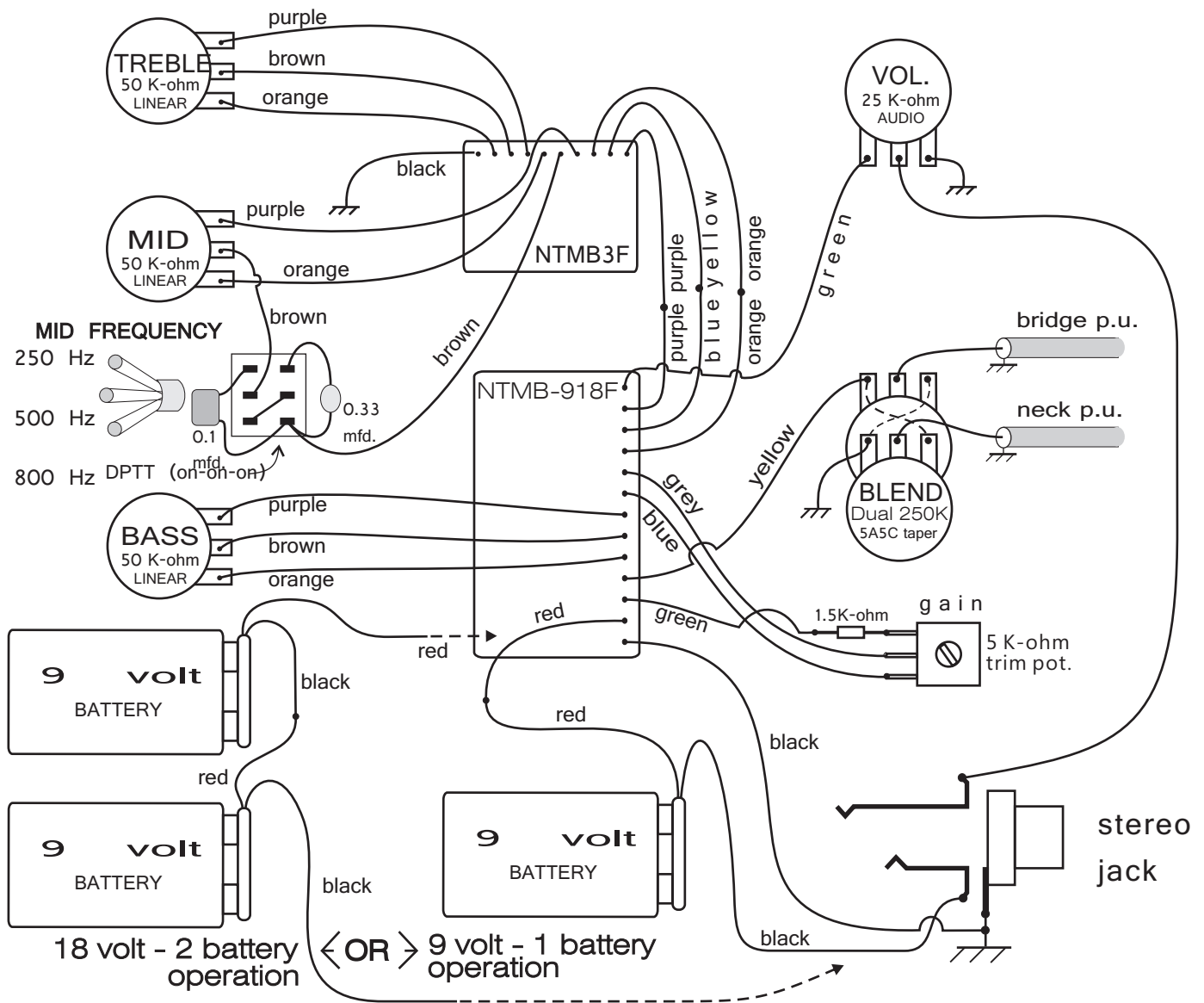


3 Band 9 volt or 18 volt Preamp/Tone control with switchable Mid frequencies



The NTMB is a tone control preamp with fully independent Bass, Mid and Treble controls with very low noise and wide boost/cut range. It consists of 2 prewired modules for ease of installation.

The main module (NTMB) is 2/3 the size of a 9 volt battery.

The second module (NTMB3F) is 1/2 the size of the main module..

The sound is very clear and transparent. Distortion is well below 0.001%.

This preamp can be used with either 1 - 9 volt battery ( 9 volt operation) or 2 - 9 volt batteries (18 volt operation) which yields 6 dB extra headroom.

In 9 volt operation the NTMB-918 uses approximately 750 microamperes of current from 1 - 9 volt battery. This means 1 month of continuous duty or more than 6 months of average usage.

In 18 volt operation the NTMB-918 uses approximately 1000 microamperes of current from 2 - 9 volt batteries. This means more than 3 weeks of continuous duty or more than 4 months of average usage.

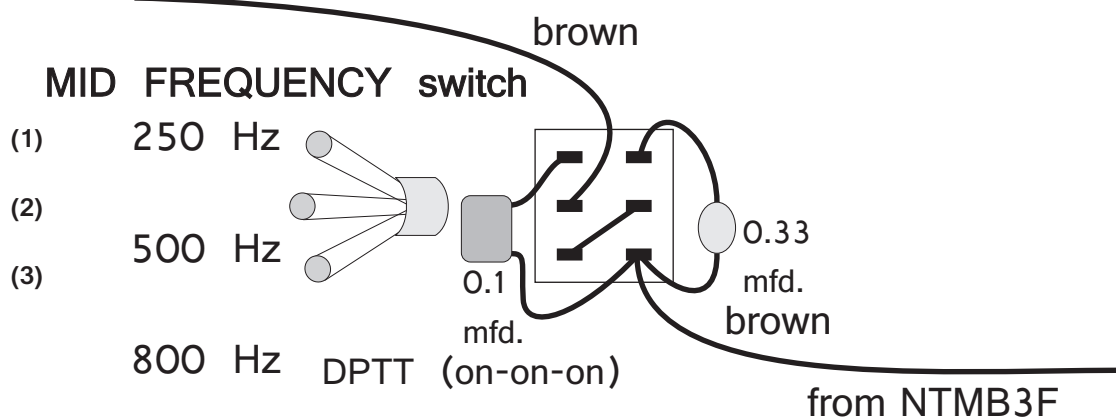
**DO NOT USE MORE THAN 18 volt SUPPLY VOLTAGE OR EXTERNAL POWER SUPPLIES!**

3 Band 9 volt or 18 volt Preamp/Tone control with switchable Mid frequencies

**NTMB-918F Midrange Control Frequencies**

capacitors in series from NTMB3F to Mid Control	capacitance (microfarads)	resonant frequency NTMB3F (yellow) - Hz
0.068 (683)	0.068	1023
0.082 (823)	0.082	932
0.100 (104)	0.100	( 3 ) 845
2 - 0.22 mfd (+ to +)	0.110	807
0.22 & 0.33 mfd (+ to +)	0.132	740
2 - 0.33 mfd (+ to +)	0.165	667
0.33 & 0.47 mfd (+ to +)	0.194	621
2 - 0.47 mfd (+ to +)	0.235	572
0.47 & 0.68 mfd (+ to +)	0.278	534
0.33 mfd	0.330	( 2 ) 496
0.68 & 0.82 mfd (+ to +)	0.372	478
2 - 0.82 mfd (+ to +)	0.410	462
0.82 & 1.00 mfd (+ to +)	0.451	447
2 - 1.00 mfd (+ to +)	0.500	432
connected without capacitor	-----	( 1 ) 265

to mid lug of Mid Control



**Control Boost / Cut Ranges**

Bass +/- 15 dB @ 30Hz

Mid +/- 13 dB @ 250Hz

Treble +/- 16 dB @ 6KHz